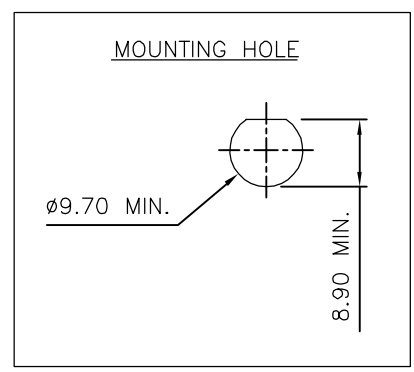
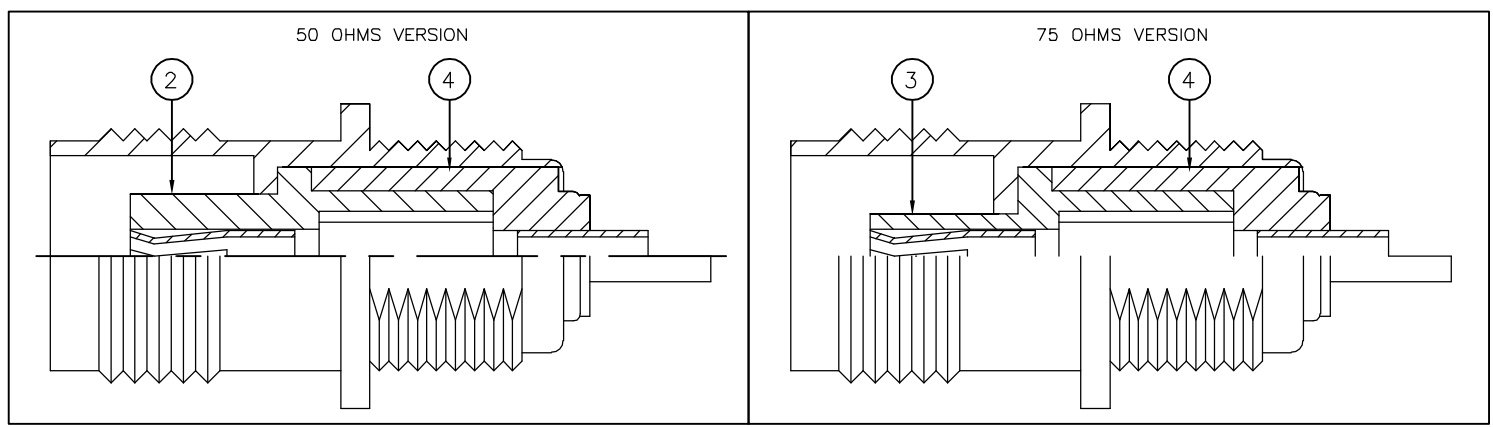
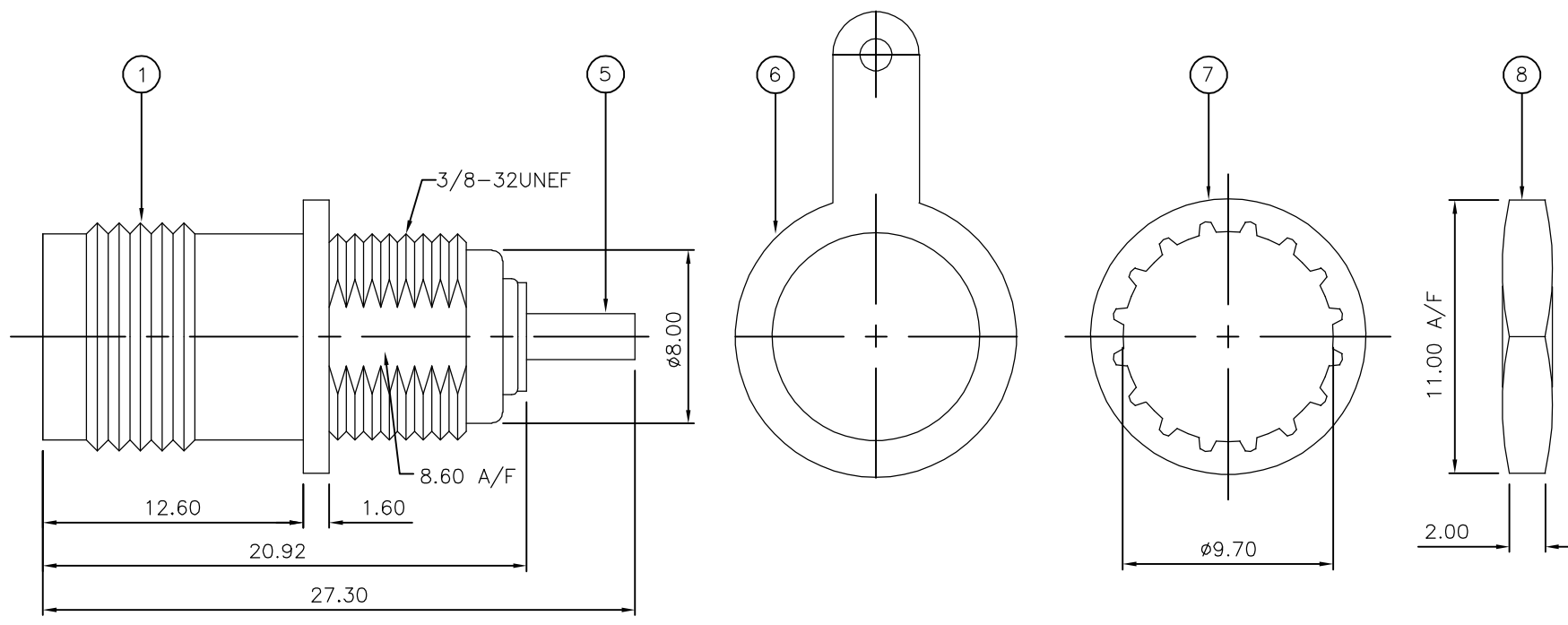


THIS DRAWING IS UNPUBLISHED. RELEASED FOR PUBLICATION AUGUST, 2006.
 © COPYRIGHT 2006 BY TYCO ELECTRONICS CORPORATION. ALL RIGHTS RESERVED.

| LOC | DIST | REVISIONS | | | | | |
|-----|------|-----------|-----|-------------|---------|-----|------|
| E | B | P | LTR | DESCRIPTION | DATE | DWN | APVD |
| | | A | | FIRST ISSUE | 15AUG06 | JMS | FWK |

- NOTES:
- 1 PACK IN ACCORDANCE WITH AMP SPEC 107-3275
 - 2 100 TRAY PACK IN ACCORDANCE WITH AMP SPEC 107-3275
 - 3 Au PLATING
 - 4 Ni PLATING
 - 5 ELECTRICAL CHARACTERISTICS
 FREQUENCY RANGE: 50 Ohm DC - 4 GHz
 75 Ohm DC - 2 GHz
 50 Ohm
 NOMINAL IMPEDANCE:
 INSULATION RESISTANCE: 5000 MOhm
 WORKING VOLTAGE: 500 Volts RMS at Sea Level
 DIELECTRIC WITHSTAND VOLTAGE: 1500 Volts RMS Max
 CONTACT RESISTANCE:
 CENTRE CONTACT: 1.50 mOhm Max
 OUTER CONTACT: 1.00 mOhm Max
 INSERTION LOSS db: 0.20 Max
 - 6 MECHANICAL CHARACTERISTICS
 MOUNT NUT RECOMMENDED TORQUE: 2.0N
 DURABILITY: 50 Cycles Min
 - 7 ENVIRONMENTAL CHARACTERISTICS
 OPERATING TEMPERATURE: -65 to +85 DegC
 - 8 FOR TECHNICAL DATA REFER TO YOUR LOCAL TYCO ELECTRONICS SALES OFFICE
 - 9 ALL DIMENSIONS ARE NOMINAL FOR REFERENCE ONLY UNLESS OTHERWISE STATED



| QTY | QTY | QTY | QTY | MATERIAL | DESCRIPTION | ITEM |
|-------------------|------|------|------|-----------------|---------------|------|
| 1 | 1 | 1 | 1 | STEEL | HEXAGONAL NUT | 8 |
| 1 | 1 | 1 | 1 | STEEL | LOCKWASHER | 7 |
| 1 | 1 | 1 | 1 | BRASS | SOLDER TAG | 6 |
| 1 | 1 | 1 | 1 | PHOSPHOR BRONZE | CONTACT | 5 |
| 1 | 1 | 1 | 1 | PTFE | INSULATION | 4 |
| 1 | 1 | - | - | PTFE | INSULATION | 3 |
| - | - | 1 | 1 | PTFE | INSULATION | 2 |
| 1 | 1 | 1 | 1 | ZINC | BODY | 1 |
| 5--3 | 5--2 | 5--1 | 5--0 | | | |
| △ | △ | △ | △ | | | |
| QUANTITY PER ASSY | | | | PARTS LIST | | |

| | | | | |
|---|--|-----------------------------------|--|--------------------|
| THIS DRAWING IS A CONTROLLED DOCUMENT. | | DWN J.SANDWELL 15AUG06 | Tyco Electronics Corporation Bideford EX39 4HE | |
| DIMENSIONS: mm | | CHK S.PARLOW 15AUG06 | | |
| TOLERANCES UNLESS OTHERWISE SPECIFIED: | | APVD F.WHEELER-KING 15AUG06 | NAME TNC BULKHEAD SOCKET FRONT MOUNT 50 & 75 OHM | |
| 0 PLC ± - 1 PLC ± - 2 PLC ± - 3 PLC ± - 4 PLC ± - ANGLES ± - | | PRODUCT SPEC - | DRAWING NO A3 00779 C-1814804 | |
| MATERIAL SEE TABLE | | FINISH - | APPLICATION SPEC - | RESTRICTED TO - |
| | | WEIGHT - | SIZE A3 | CAGE CODE 00779 |
| | | CUSTOMER DRAWING | SCALE NTS | SHEET 1 OF 1 |
| | | | | REV A |